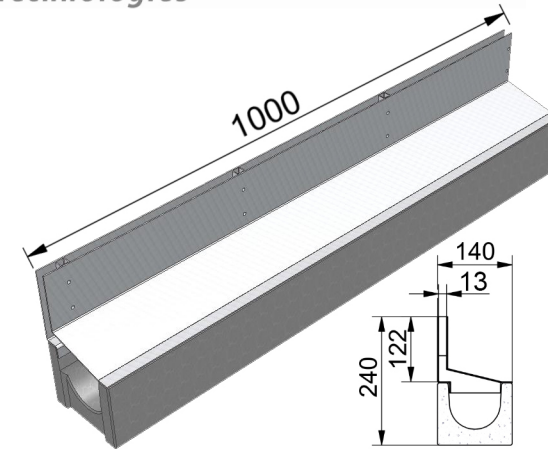
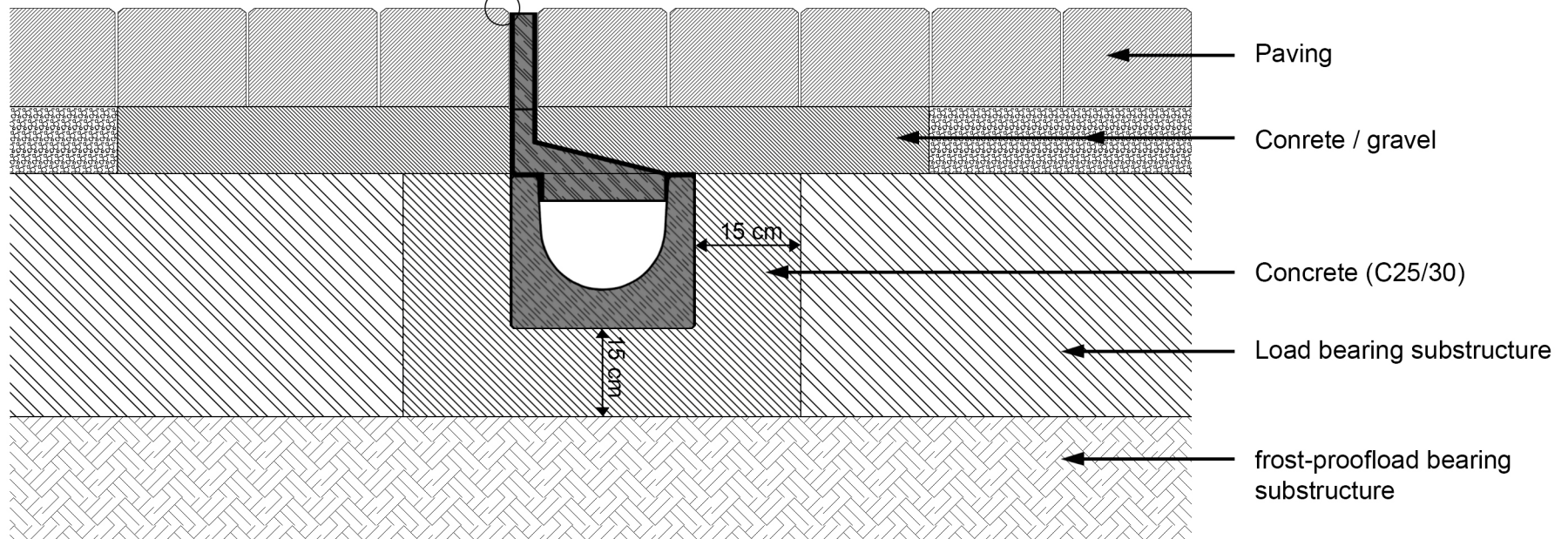


Installing MINI Slot Sideways

Adjoining Surface: Paving
 Load Class A15 - C250



The edge protector in the drainage channel must be permanently seated 5 mm lower than the adjoining surface.



inspection grate -sideways:

